

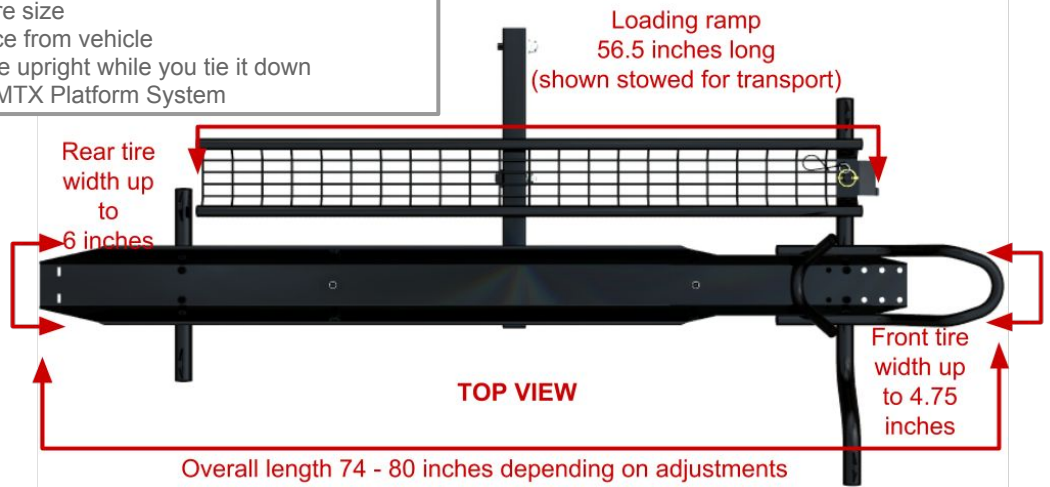
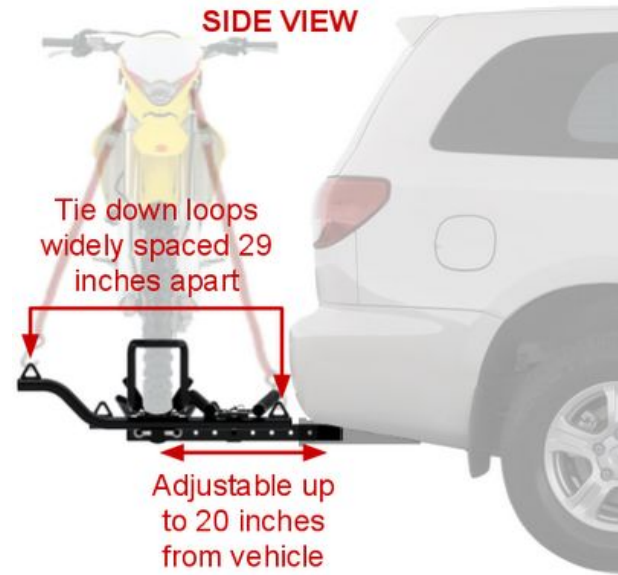
Product ID:
MTX3

REV
08-25-2020

MOTOTOTE®

Spec Sheet **MOTOTOTE MTX M3 motorcycle carrier**

Hitch Type:	Class III or better 2 inch square
Track width:	V shaped channel 6" wide at top of V
Wheel base:	Up to 65 inches
Tire Widths:	Front-Up to 4.75 inches, Rear-Up to 6 inches
Weight capacity:	500 lbs.*
Carrier weight:	58 lbs.
Material:	Powder coated steel
Loading Ramp:	Included-56.5 inches long. Matching powder coating. Quick-attaches to carrier for transport when not in use.
Finish:	Baked polyester powder coat Black
Recommended for:	Scooters, dirt bikes and street bikes weighing up to 450 lbs.*
Suggested retail:	\$450
MOTOTOTE® Standard features:	<ul style="list-style-type: none"> • Easy one time assembly with only one-size wrench • Reversible assembly to position the bike either direction • Exclusive Zero-Wobble (tm) hitch attachment eliminates play • Heavy duty polyester powder coat finish • Quick stowing of loading ramp • Easy Storage – Takes about same space as a bicycle
MTX M3 New features:	<ul style="list-style-type: none"> • Adjustable wheel base • Adjustable for front tire size • Adjustable for distance from vehicle • Wheel stop holds bike upright while you tie it down • Compatible with the MTX Platform System



*Your vehicle and hitch must be rated to support the combined weight of the bike and the carrier

MOTO-TOTE is a registered trademark of D&D Design, Inc.
Patent #D393241

by **D&D Design, Inc.**

For more information, call (888) 333-4621 or visit MOTOTOTE.com