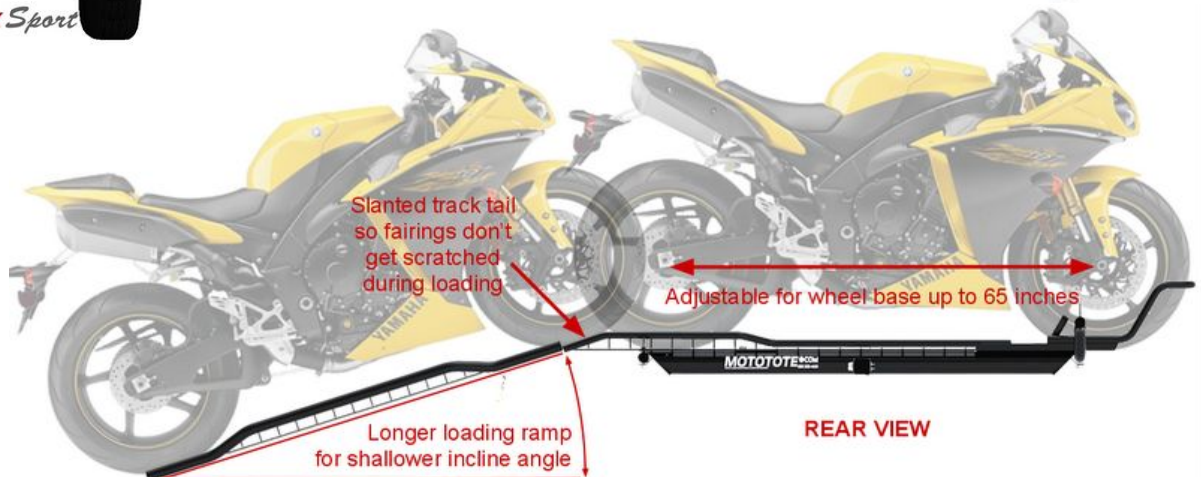
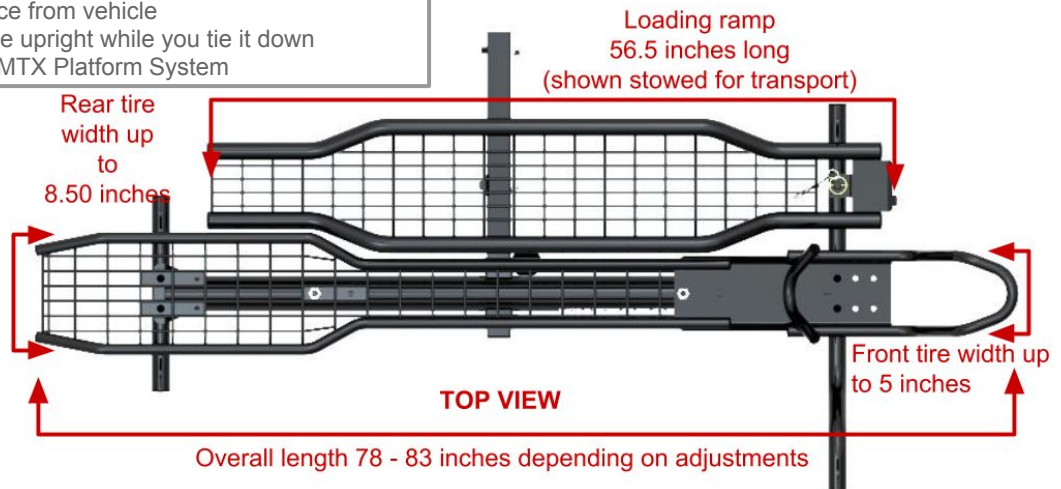
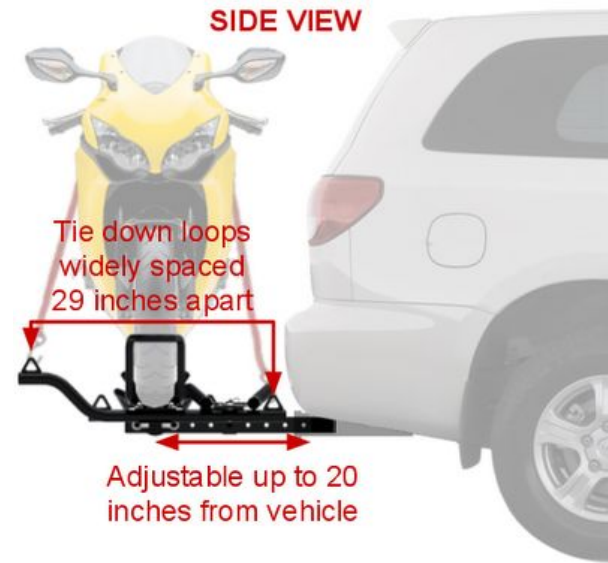


Product ID: MTXS

REV 8-9-16

MOTOTOTE®

Spec Sheet	MOTOTOTE MTX <i>Sport</i> motorcycle carrier
Hitch Type:	Class III or better 2 inch square
Track width:	5" at front, 8.5" at rear
Wheel base:	Up to 65 inches
Tire Widths:	Front-Up to 5 inches, Rear-Up to 8.50 inches
Weight capacity:	550 lbs.*
Carrier weight:	63 lbs.
Material:	Powder coated steel
Loading Ramp:	Included-56.5 inches long. Matching powder coating. Quick-attaches to carrier for transport when not in use.
Finish:	Baked polyester powder coat Black
Recommended for:	Sport and street bikes weighing up to 550 lbs.*
Suggested retail:	\$599.99
MOTOTOTE® Standard features:	<ul style="list-style-type: none"> • Easy one time assembly with only one-size wrench • Reversible assembly to position the bike either direction • Exclusive Zero-Wobble (tm) hitch attachment eliminates play • Heavy duty polyester powder coat finish • Quick stowing of loading ramp • Easy Storage – Takes about same space as a bicycle
MTX <i>Sport</i> New features:	<ul style="list-style-type: none"> • Adjustable wheel base • Adjustable for distance from vehicle • Wheel stop holds bike upright while you tie it down • Compatible with the MTX Platform System



*Your vehicle and hitch must be rated to support the combined weight of the bike and the carrier

MOTO-TOTE is a registered trademark of D&D Design, Inc.
Patent #D393241

by **D&D Design, Inc.**

For more information, call (888) 333-4621 or visit MOTOTOTE.com